
Limit Ratings

Minimum anode current	10 mA
Maximum anode current	75 mA
Minimum anode supply voltage when the primer is connected as (1) below	135 V
Minimum anode supply voltage when the primer is connected as (2) below	190 V

Primer Connections

- (1) To +190 V via 47 k Ω or any other arrangement causing the primer current to be approx. 1.3 mA.
- (2) Through 15 k Ω to the main anode.

Characteristics

Running voltage at 75 mA	115—135 V
Maximum change in V_R for a current change from 10 to 75 mA	10 V
Primer striking voltage	190 V
Primer running voltage	120 V (nominal)

N.B.—Equilibrium conditions are reached after 10 minutes operation.

GTR 120 A/S

(CV.45)

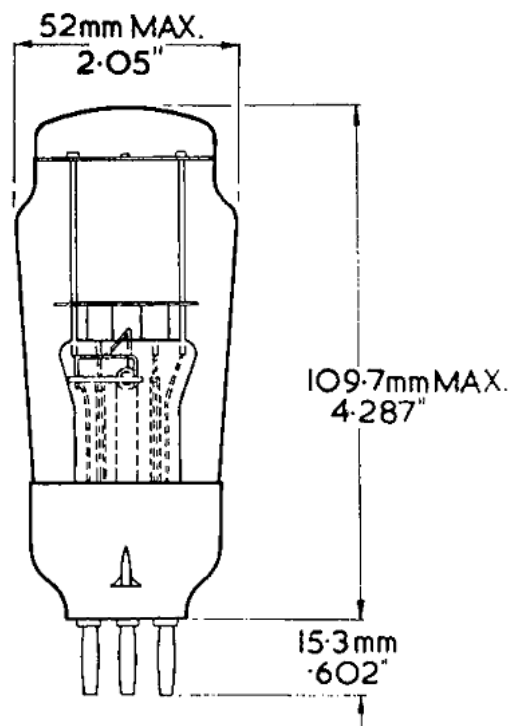
Primed Voltage Stabilizer

Mechanical Data

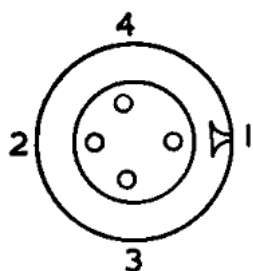
Mounting position Any

Weight 54 g (nominal)

Base British 4 pin



Base Connections
(underside view)



- Pin 1 Anode
Pin 2 Cathode
Pin 3 No connection
Pin 4 Primer

